

▸ Mott High Purity Fiber Filters FLP Series



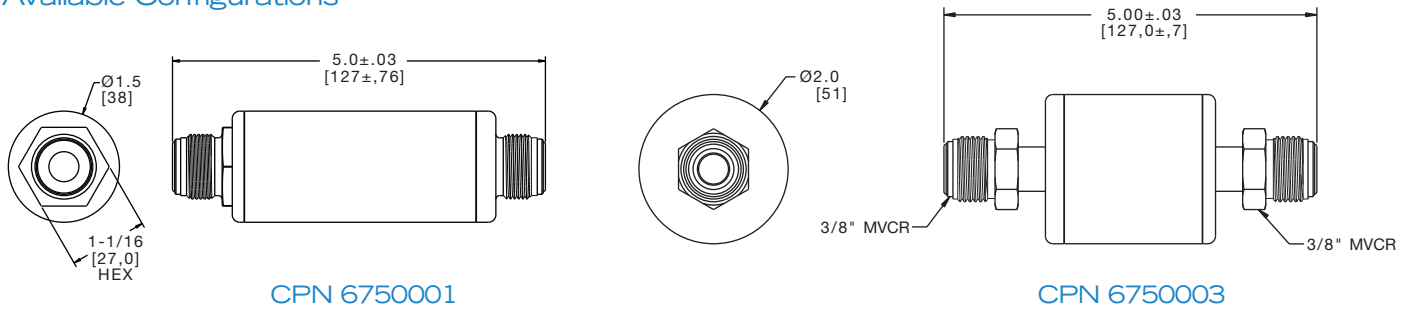
Designed for Low Pressure Drop Applications
High Flow Rate/Low Pressure Drop

- High Temperature Tolerance (up to 450°C)
- Maximum Inlet Pressure up to 2500 PSIG
- 100% 316L Stainless Steel Construction
- Ideal for Low Vapor Pressure Gases from Liquid Source Volatile Precursors
- 1×10^{-9} atm cc/sec Helium Leak Rate
- Cleaned and Packaged in Class 100 Clean Room
- Removal Rating: $\geq 0.003 \mu\text{m}$
- High Flow with Low Pressure Drop
 - Hook-Up Applications
 - Gas Delivery Systems

▸ high purity products

▸ mottcorp.com

Available Configurations

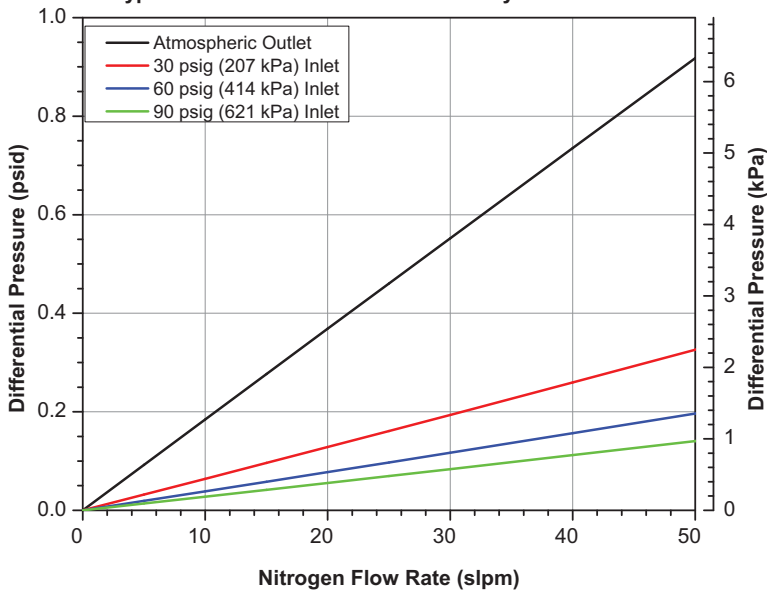


Dimensions

CPN	Part Description	Diameter	OAL	End Fitting	Media Material
6750001	FLP515FF33	1.50" (38 mm)	5.0" (127 mm)	1/2" VCR	Stainless Steel
6750003	FLP502FF22	2.00" (51 mm)	5.0" (127 mm)	3/8" VCR	Stainless Steel
6750002	FLP552FF11P	2.00" (51 mm)	5.5" (140 mm)	1/4" MVCR/FVCR	Stainless Steel

Mott High Purity FLP Series Filters

Mott FLP515 Flow Rate vs. Differential Pressure
Typical Flow Curves as a Function of System Pressures



mott corporation



ISO 9001:2008 CERTIFIED
HPFLP 7/13

84 Spring Lane, Farmington, CT 06032-3159 | 860-747-6333 Fax 860-747-6739
www.mottcorp.com | email: quest@mottcorp.com