



SERIES AK 3672, 3675 & 4675

1/4 & 3/8 INCH METERING VALVES

Springless Diaphragm Design

- Fine adjustment control
12 to 15 turns of the knob
to wide open
- Positive shut off (AK 3672
and AK 3675 only)
- Metal seal to atmosphere
- Operating pressure to
145 psig (10 bar)
- One wetted moving part
–a diaphragm
- Multi-port options
available
- Stainless steel 316L
construction
- AK 3672 flow to 10 slpm,
AK 3675 flow to 40 slpm.
& AK 4675 flow to 70 slpm
at 30 psig (2 bar) N₂
- Installation and operating
instructions available at
www.aptech-online.com
in the Tech Briefs section

Pressure Ratings

Operating pressure	vacuum to 145 psig (10 bar)
Proof pressure	150% of operating pressure
Burst pressure	300% of operating pressure

Other Parameters

Inlet/outlet connectors	1/4 inch compression, NPT, or BSPT
Flow coefficient (Cv)	AK 3672 0 to 0.02 AK 3675 0 to 0.08 AK 4675 0 to 0.15
Internal volume	0.06 in ³ (1.07 cm ³)
Operating temperature	-40° to +160°F (-40° to +71°C)
Leak rate	1 x 10 ⁻⁹ sccs
Leakage across seat	bubble tight (AK 3672 & AK 3675 only)

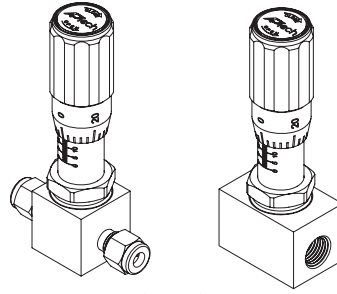
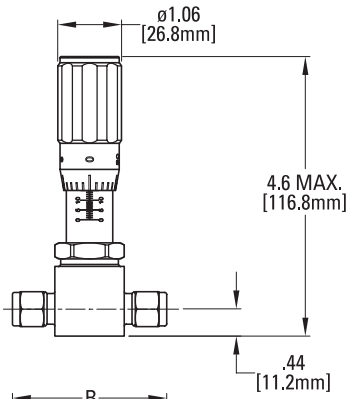
Materials

	Series AK 3672 and 3675	Series AK 4675
Wetted Parts		
Body	SS 316L	SS 316L
Diaphragm	Ni-Co alloy / UNS R30003	Ni-Co alloy / UNS R30003
Finish	passivated	passivated
Seat	PCTFE	SS 316L

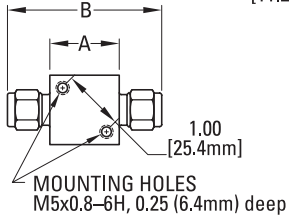
All specifications subject to change without notice.

THE ULTIMATE IN GAS FLOW METERING

DIMENSIONAL INFORMATION



AK3672 / 3675 / 4675

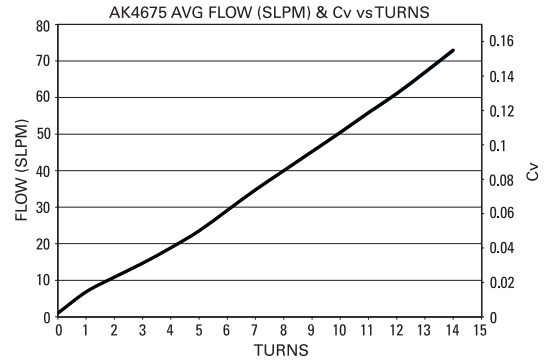
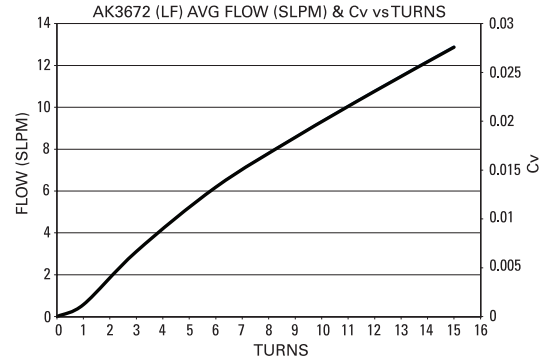
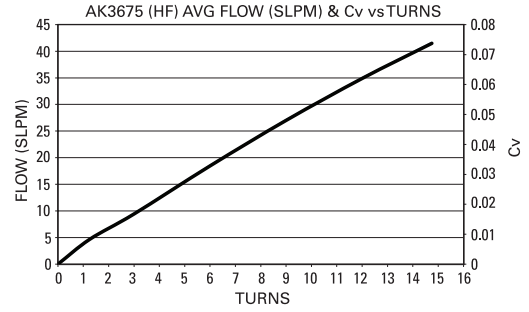


- Metric dimensions are for reference only.
- All specifications subject to change without notice.
- Valves are shown in open position.

PORTING CONFIGURATIONS

CONNECTION	A		B	
	inch	mm	inch	mm
4Tx4T	1.12 SQ	28.4	2.56	65.0
4Nx4N	1.12 SQ	28.4	2.32	58.9
4BRNx4BRN	1.12 SQ	28.4	2.32	58.9
4x4	N/A	N/A	1.70	43.2
4BRx4BR	N/A	N/A	1.70	43.2

All dimensions in inches (mm). Metric dimensions are for reference only.



CAUTION: Product selection is the sole responsibility of the user, regardless of any recommendations or suggestions made by the factory. The user shall make selections based upon their own analysis and testing with regard to function, material compatibility and product ratings. Proper installation, operation and maintenance are also required to assure safe, trouble free performance.

ORDERING INFORMATION

Sample Order Number **AK 3672S 2P 4 4**

AK 3672 | Series

AK 3672
AK 3675
AK 4675

S | Material

S = Stainless steel (SS)

2P | Ports

2P = 2 ports

4 4 | Connections
Inlet / Outlet

AK 3672 & 3675
4 = 1/4 inch NPT female
4N = 1/4 inch NPT male
4T = 1/4 inch compression
4BR = 1/4 inch BSPT female
4BRN = 1/4 inch BSPT male

AK 4675
6 = 3/8 inch NPT female
6N = 3/8 inch NPT male
6T = 3/8 inch compression
6BR = 3/8 inch BSPT female
6BRN = 3/8 inch BSPT male

Inlet and outlet connections must be the same.

AP Tech has product options and variations which are not documented in data sheets. If you have a model number that is not defined by the ordering information, please consult the factory or your local representative.